

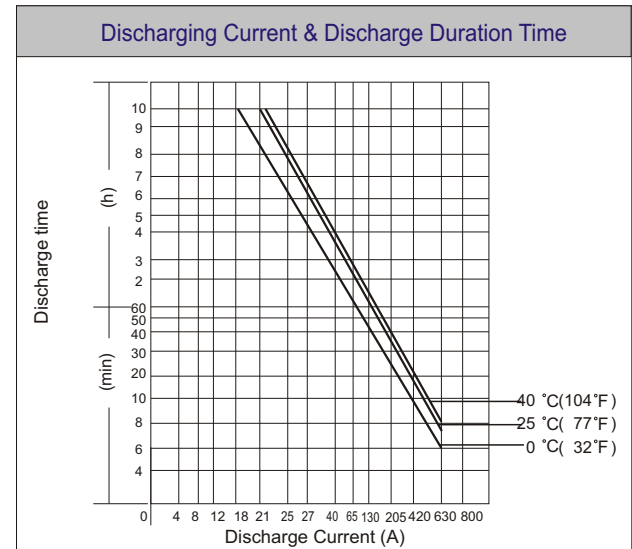
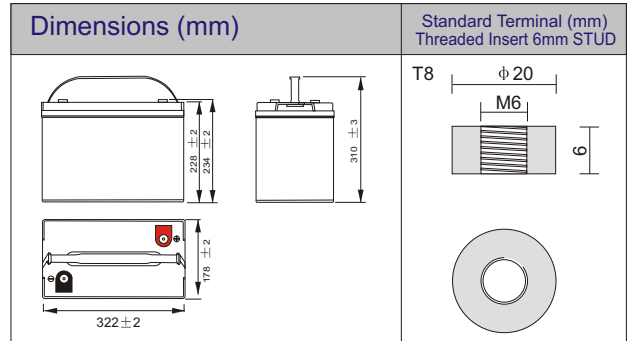


POWER-GUARD SERIES®

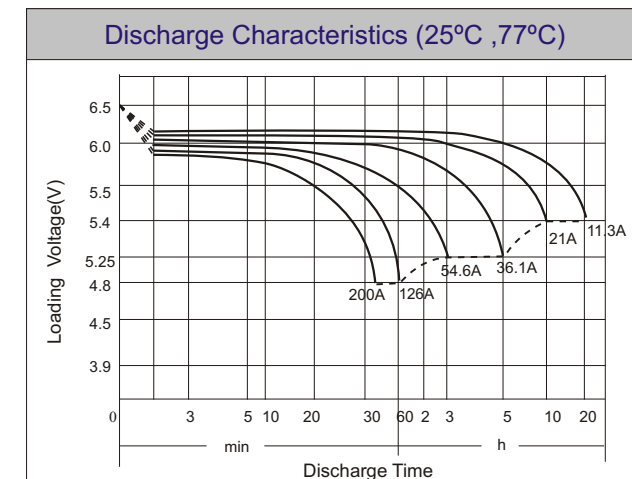


PG6V220

VRLA Sealed Long Life Battery



Physical Specification		
Nominal Voltage	6V	
Nominal Capacity (20HR)	226AH	
Dimension	Length	322±3mm (12.71 inches)
	Width	178±2mm (7.00 inches)
	Container Height	228±2mm (8.79 inches)
	Total Height (with Terminal)	234±2mm (9.21 inches)
Weight	Approx 32.5kg (71.7lbs)	
Standard Terminal	T8 Threaded Insert 6mm STUD	



Electrical Specification					
Rated Capacity	20 hour rate (11.3A)	226.0 AH	Constant Voltage	Cycle	Initial Charging Current less than 60A. Voltage 7.20V~7.50V at 25°C (77°F) Temp. Coefficient-15mV/C
	10 hour rate (21.0A)	210.0 AH			
	5 hour rate (36.1A)	180.5 AH			
	3 hour rate (54.6A)	163.8 AH			
	1 hour rate (126.0A)	126.0 AH			
Capacity affected by Temperature	40°C (104°F)	103%	Charge	Standby	No limit on Initial Charging Current Voltage 6.75V~6.90V at 25°C(77°F) Temp. Coefficient - 10mV/°C
	25°C (77°F)	100%			
	0°C (32°F)	86%			

Constant Current (Amp) and Constant Power (Watt) Discharge Table (25C,77F)												
Time(minute) Final voltage	20	30	45	60	120	180	240	300	360	480	600	1200
	1.3	1.6	1.6	1.67	1.7	1.75	1.75	1.75	1.75	1.8	1.8	1.8
Amps	315.0	241.5	168.0	126.0	73.5	54.6	42.0	36.1	31.9	25.0	21.0	11.3
W/Cell	617.4	455.7	333.9	249.5	146.2	108.8	83.8	72.0	63.8	50.0	42.0	22.6